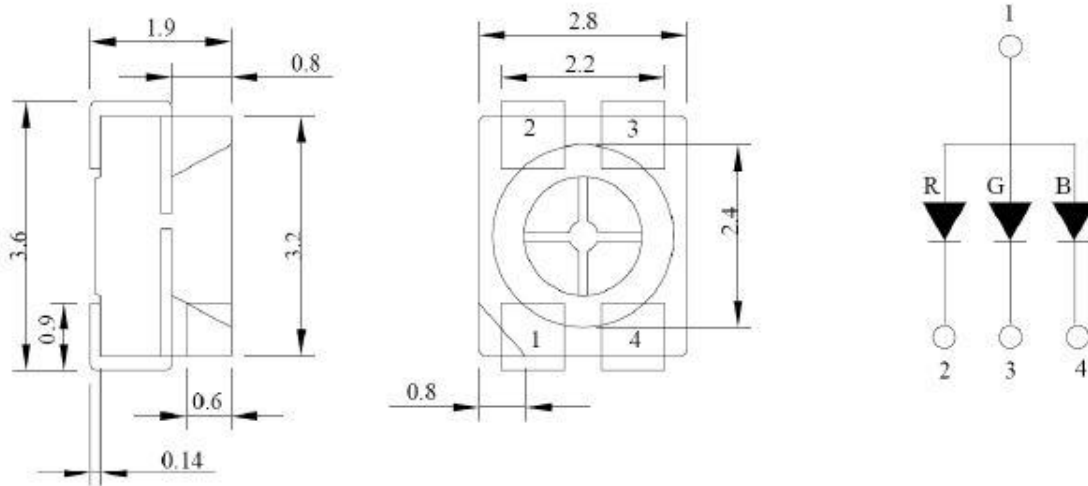


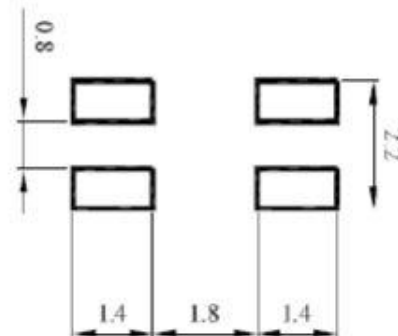
3528 RGB LED

PLCC4 tricolor (red, green, blue) chip led, suitable for the processing of automatic placement machines. We can provide design and processing of flexible panels, hard panels, flexible strips and hard strips.

■ Package Dimensions:



■ Reflow Soldering Pad Dimensions:



Notes:

1. All dimensions are in millimeters (inches).
2. Tolerance is $\pm 0.10\text{mm}$ (0.004') unless otherwise specified.

Features:

3.5mmx2.8mm 3528 SMD LED, 1.9mm thickness

Available color: red yellow blue green RGB etc.

Low power consumption

Wide view angle

Long lifespan

Package: 3000pcs/reel

ROHS Compliant

OEM / ODM

HIGH QUALITY LED LIGHT

WE FOCUS ON THE BEST LED LIGHTS



More energy saving



High brightness



Durable



High-quality materials

PRODUCT PRESENTATION

Are widely used in the LED lamp, LED bulb light, LED panel light, LED ceiling lamp, LED street light, LED lamp, miner's lamp, stage light, flashlight, lighting, lamp lighting lamps and lanterns, as well as outdoor billboards, such as electronic display, traffic lights, signs, car tail lights, LED modules, LCD back light, LED lighting lighting, LED soft/hard light bar, etc., is the better choice to replace traditional lighting light source.



Parameter	Symbol	Test Condition	Min.	Typ.	Max.	Unit
Luminous Intensity	I_v	$I_F=20\text{mA}$	135	250	—	mcd
Dominant Wavelength	λ_d	$I_F=20\text{mA}$	620	—	630	nm
Forward Voltage	V_F	$I_F=20\text{mA}$	1.8	2.2	2.6	V
Viewing Angle	$2\theta_{1/2}$	$I_F=20\text{mA}$	—	120	—	deg
Reverse Current	I_R	$V_R=5\text{V}$	—	—	10	μA

Parameter	Symbol	Test Condition	Min.	Typ.	Max.	Unit
Luminous Intensity	I_v	$I_F=20\text{mA}$	500	1000	—	mcd
Dominant Wavelength	λ_d	$I_F=20\text{mA}$	515	—	530	nm
Forward Voltage	V_F	$I_F=20\text{mA}$	2.8	3.1	3.4	V
Viewing Angle	$2\theta_{1/2}$	$I_F=20\text{mA}$	—	120	—	deg
Reverse Current	I_R	$V_R=5\text{V}$	—	—	10	μA

Parameter	Symbol	Test Condition	Min.	Typ.	Max.	Unit
Luminous Intensity	I_v	$I_F=20\text{mA}$	165	400	—	mcd
Dominant Wavelength	λ_d	$I_F=20\text{mA}$	460	—	475	nm
Forward Voltage	V_F	$I_F=20\text{mA}$	2.8	3.1	3.4	V
Viewing Angle	$2\theta_{1/2}$	$I_F=20\text{mA}$	—	120	—	deg
Reverse Current	I_R	$V_R=5\text{V}$	—	—	10	μA

SMD LED Application

Switches, keys back lighting

Electronic display panel light

Marker lights, reading lamps.

Outdoor back lighting displays.

Emergency lighting, signal and symbol luminaire, Ect.

Stage lighting: Stage lamp, background light.

Building and landscape lighting: Floodlight , clean wall light, gardening light.

Decorative lighting: Guard rail lamp, spot lamp, Underground lamp.

APPLICATIONS

APPLICATION SCENARIOS:

1. Automotive: Dashboards, stop lamps, turn signals
2. Backlighting: LCDs, Key pads advertising
3. Status indicators: Consumer & industrial electronics
4. General use



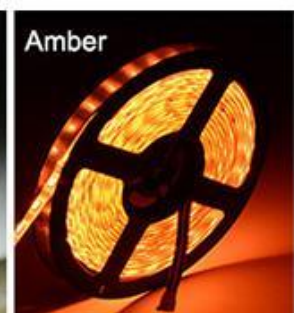
Warm white



Natural White



White



Amber



Red



Yellow



Green



Blue

Why choose us?

- 1, Your inquiry for our products or prices will be replied in 24 hours
- 2, Protection of your sales area, ideas of design and all your private information.
- 3, We guarantee both quality and service regardless of your order qty.
- 4, Advanced equipment and goods materials: ASM machine good chip and epoxy resin.
- 5, If there is LED failure, how can you support?

A: Clients provide us with pictures of the failed products or the samples rejected, our engineers of after sale team will analyze the failure and find out the failure reasons. If the failure was caused by Zhiding, we will compensate with qualified replacement as fast as we could!

6, Would you offer free samples?

A: Yes, We would offer free samples

7, What about the lead time?

A: It depends on the order quantity. Generally the lead time should be 5-7 working days. For samples, the delivery could be as fast as same day.

WHY CHOOSE US

- OEM ODM**
Customized design is available, OEM and ODM are welcomed.
- Thumbs Up**
We have best production capability, best quality control, best service.
- Three People**
Reply your inquiry in 24 working hours.
- Star in Circle**
Customized design is available, OEM and ODM are welcomed.

CERTIFICATION



About Shipping

FedEx/DHL/UPS/TNT/EMS... Door-to-Door;

Delivery Time: 3-7 work days for samples; 5-7 work days for bulk order.

Tracking number will be sent to you when we have shipped the products; you can check your parcel online.

Contact

Please feel free to contact us.

Sales manager: Elsa Xiao

Email: sales@zhidingled.com

Skype: elsa.xiao0418

Tel: 86-769-22665151

QQ: 1626988380

Mobile/Wechat/Whatsapp: 86-13412570091



The numbers 5050, 3528, 2835, etc correlate to the size of the chip in millimeters. Some LEDs are brighter than others and some give off more light per watt.